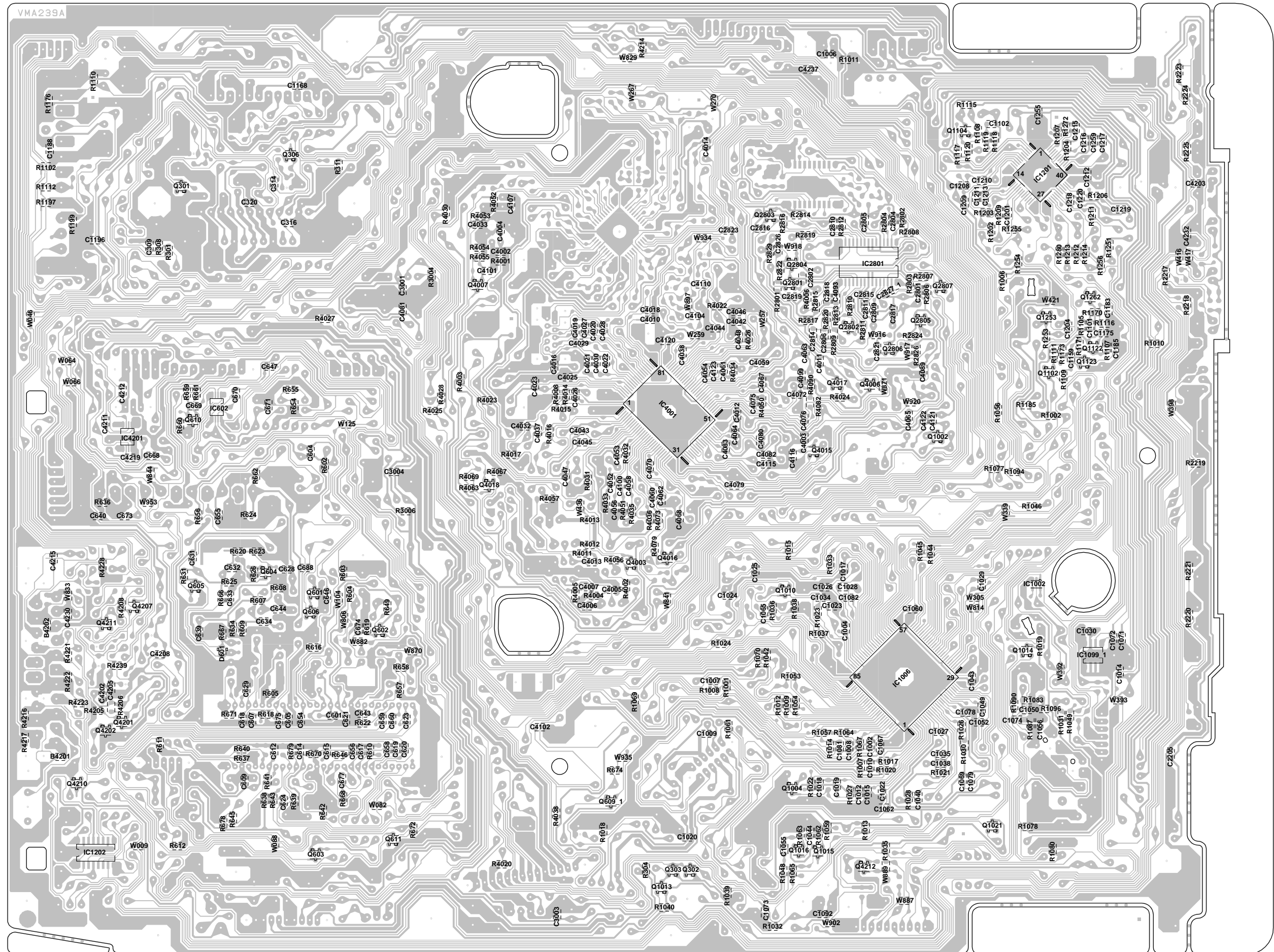
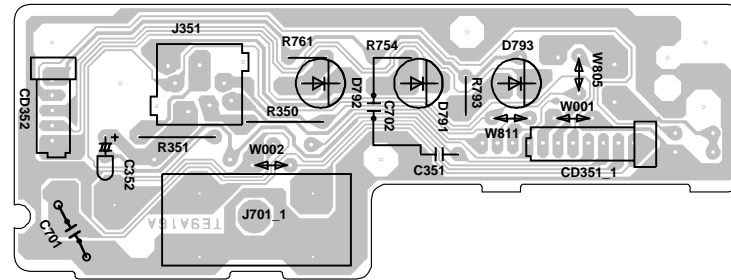


PRINTED CIRCUIT BOARDS SYSCON (CHIP MOUNTED PARTS) SOLDER SIDE

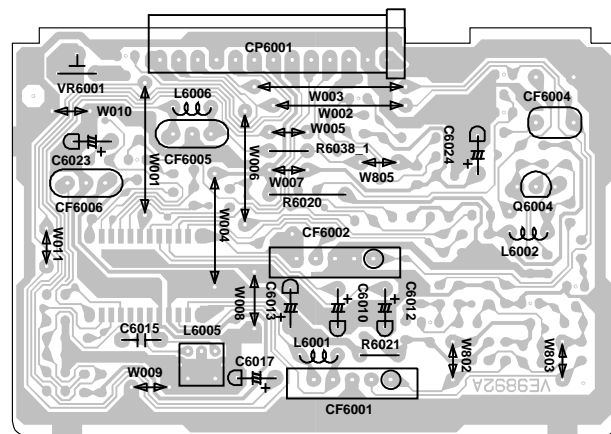


PRINTED CIRCUIT BOARDS

OPERATION SOLDER SIDE



IF (INSERTED PARTS) SOLDER SIDE



IF (CHIP MOUNTED PARTS) SOLDER SIDE

